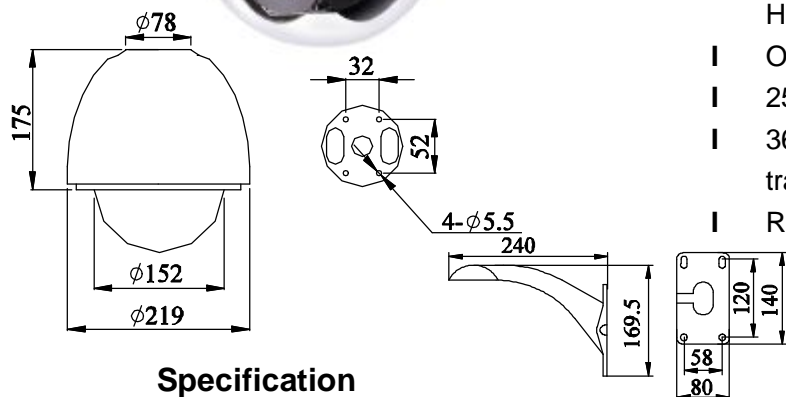


SE506

Outdoor Low Speed Dome Camera

(Wall and Ceiling Mount)



Feature:

- I Die-Cast aluminum construction, Double Dome Housing, heater blower equipped, IP66 grade
- I OSD, privacy masks (NB: this feature SE506-310 excluded)
- I 256 Camera ID address, pattern tour 40 Seconds
- I 360° continuous pan, 90° tilt, 180° flip, 6 cruising tracks, 16 presets each track, 128 presets totally
- I RS485 communication, multi-protocol, 24VAC

Specification

Model	SE506-454	SE506-480	SE506-310	SE506-980
Image Sensor	1/4" CCD			
Active Pixels	758 (H) x 592 (V)	752 (H) x 582 (V)	795 (H) x 596 (V)	740,000
Synchronization	Internal			
Video Out	VBS 1.0Vp-p/75 Ohms			
White Balance	Mode:	Auto/Manual		
	Scope:	3200~9600°K		
Scanning frequency	15.625KHz (H) 50Hz (V)			
Horizontal resolution	480TVL			
S/N Ratio	≥ 50dB			
Electric Shutter	1/3~1/10,000 S	1/3~1/10,000 S	1/50~1/10,000 S	1/1~1/10,000S
Min. Illumination	0Lux (LED on)			
BLC	Super Back Light Compensation, On/Off			
Focal Length	F=4.1~73.8mm 23X	F=3.6~82.8mm 18X	F=3.6~98mm 27X	F=3.5~91mm 26X
Max. Zoom	23X10=230x	18X12=216x	27X10=270x	26X12=312x
Focal Iris	Auto/Manual			
Gain	Auto/Manual (-3 to 28 dB, 2dB steps)			
Pan preset speed	300°/S			
Tilt preset speed	120°/S			
Pan speed	0~300°/S			
Tilt speed	0~120°/S			
Pan range	360°continuously			
Tilt range	90°, 180°Lens Flip			
Preset & Track	128 presets, 6 tracks, 16 presets each track			
Communication	RS485 (multi-protocol, baud rate supported)			
Relative humidity	90% without agglomeration			
Work environment	Outdoor wall mount / Pendant mount			
Work temperature	-35°C ~ +55°C			
Power supply	24VAC, 1.5A			
Power consumption	35VA			
Gross Weight	10Kg			

